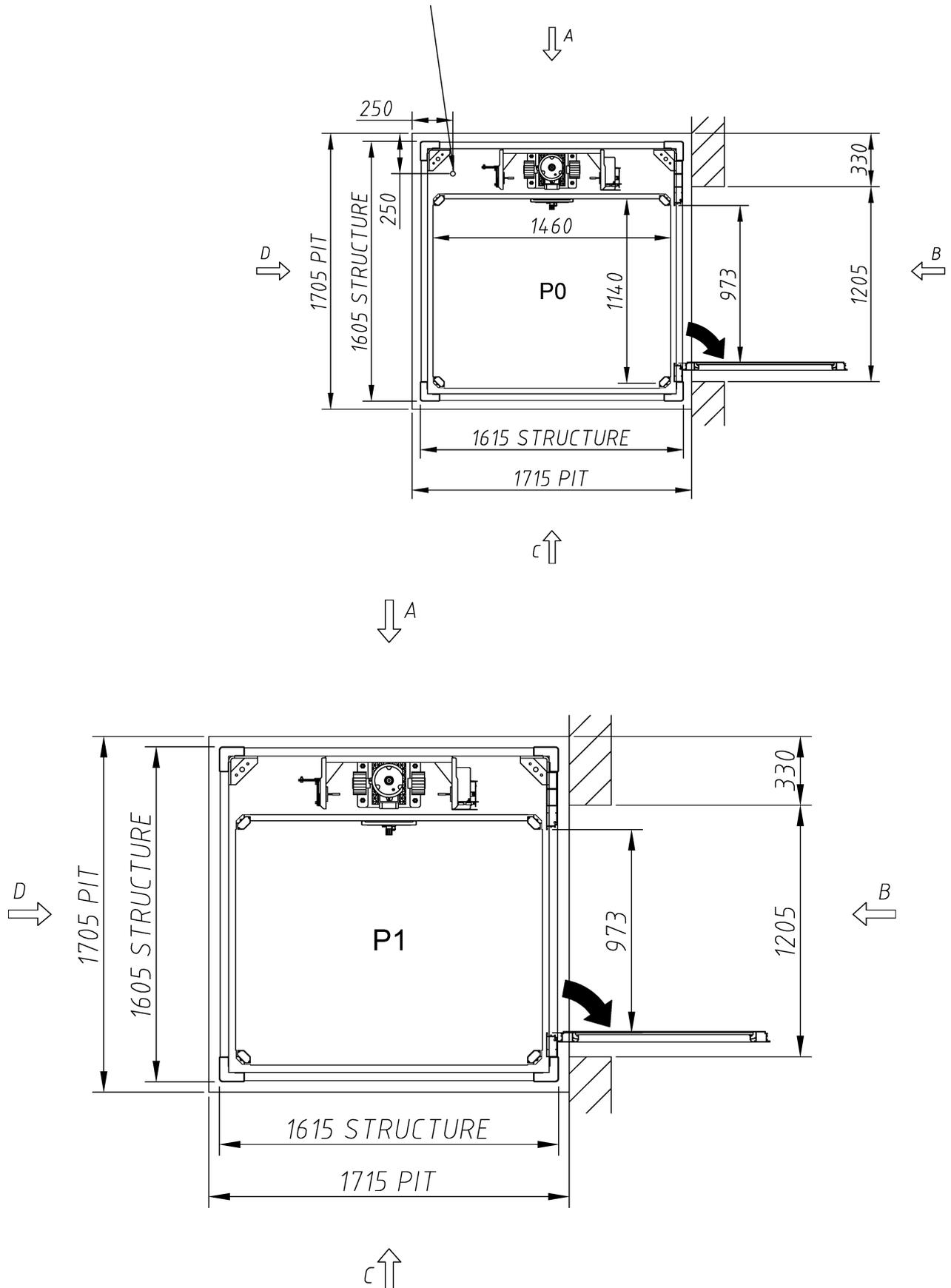


Platforma pionowa o napędzie elektrycznym pasowym - typ Vimec E10 (Eco Vimec)

<szyb samonosny, drzwi wychylne otwierane ręcznie>

CONNECTION POINTS FOR EL. CABLES  
COMING FROM THE MAIN SWITCH



Data \_\_\_\_\_

Firma \_\_\_\_\_

WINDPOLDZWIG SP. Z.O.O.

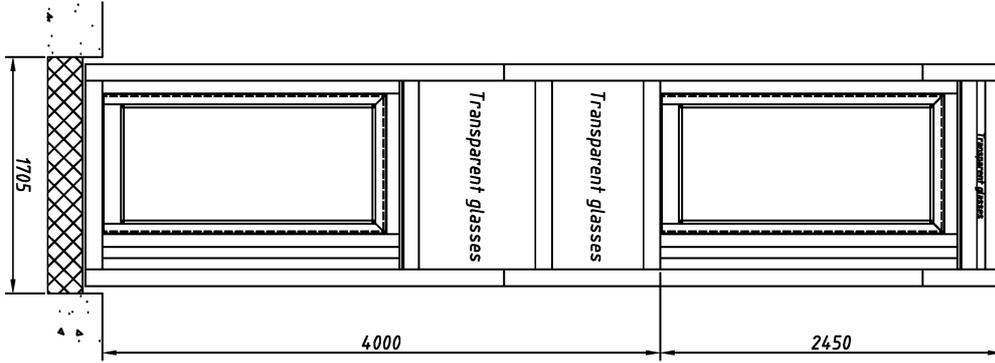
vimec

Platforma pionowa o napędzie elektrycznym pasowym - typ Vimec E10 (Eco Vimec)

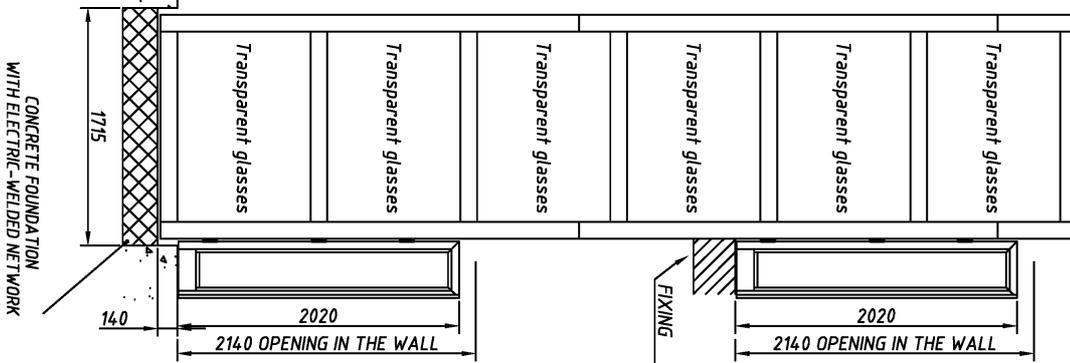
<szyb samonosny, drzwi wychylne otwierane ręcznie>

In respect of the Annex XXIII of the Regulations (UE) 833/2014, concerning restrictive measures in consideration of Russia's actions that destabilize the situation in Ukraine and subsequent amendments, which lists the products for which export to Russia is prohibited, the export to Russia and Belarus of this model is forbidden

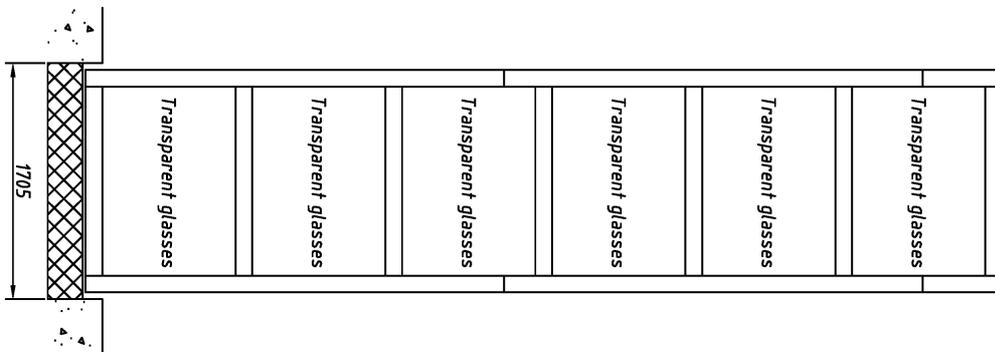
VIEW FROM B



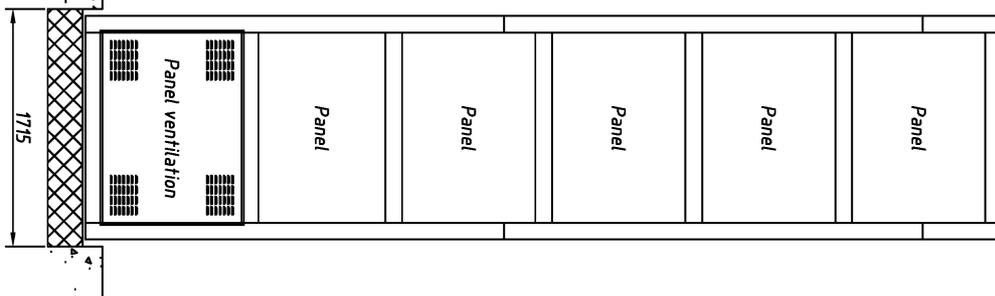
VIEW FROM C



VIEW FROM D



VIEW FROM A

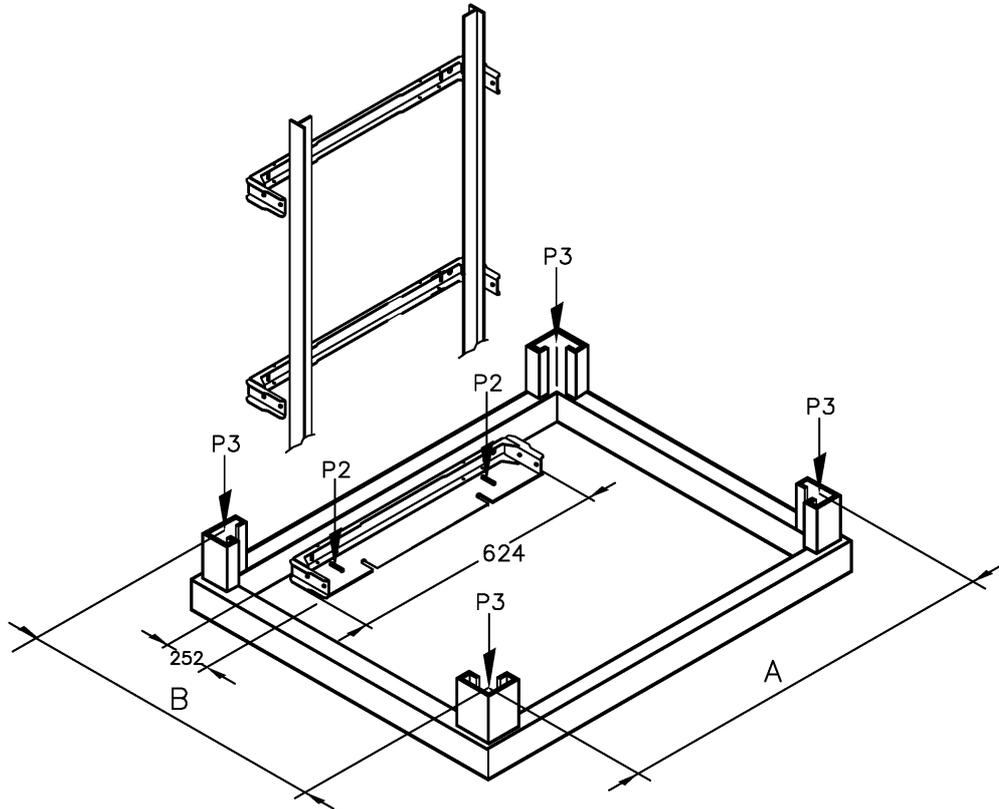


VERTICAL PLATFORM LIFT Mod. E10

CLIENT: WINDPOLDZWIG SP. Z.O.O.

ORDER: AAC238

LOADS ON THE BASE PLATE



PROJECT DATA

Load capacity =	400	kg	A =	1470	mm
Platform width =	1460	mm	B =	1460	mm
Platform depth =	1170	mm			
Travel =	4000	mm			

"P2" IS THE MAXIMUM LOAD WITH THE SAFETY GEAR IN ACTION ON THE RAIL  
THE LOAD IS DISTRIBUTED ON THE BASE PLATE (624x252)

$$P2 = 1415 \text{ Kg}$$

"P3" SELF SUPPORTING STRUCTURE LOADS WITH GLASS LIFT SHAFTS ON THE FOUR SIDES OF THE STRUCTURE

$$P3 = 1242 \text{ Kg}$$

Norm: SR – Führungsschiene

DATE 01/11/2024