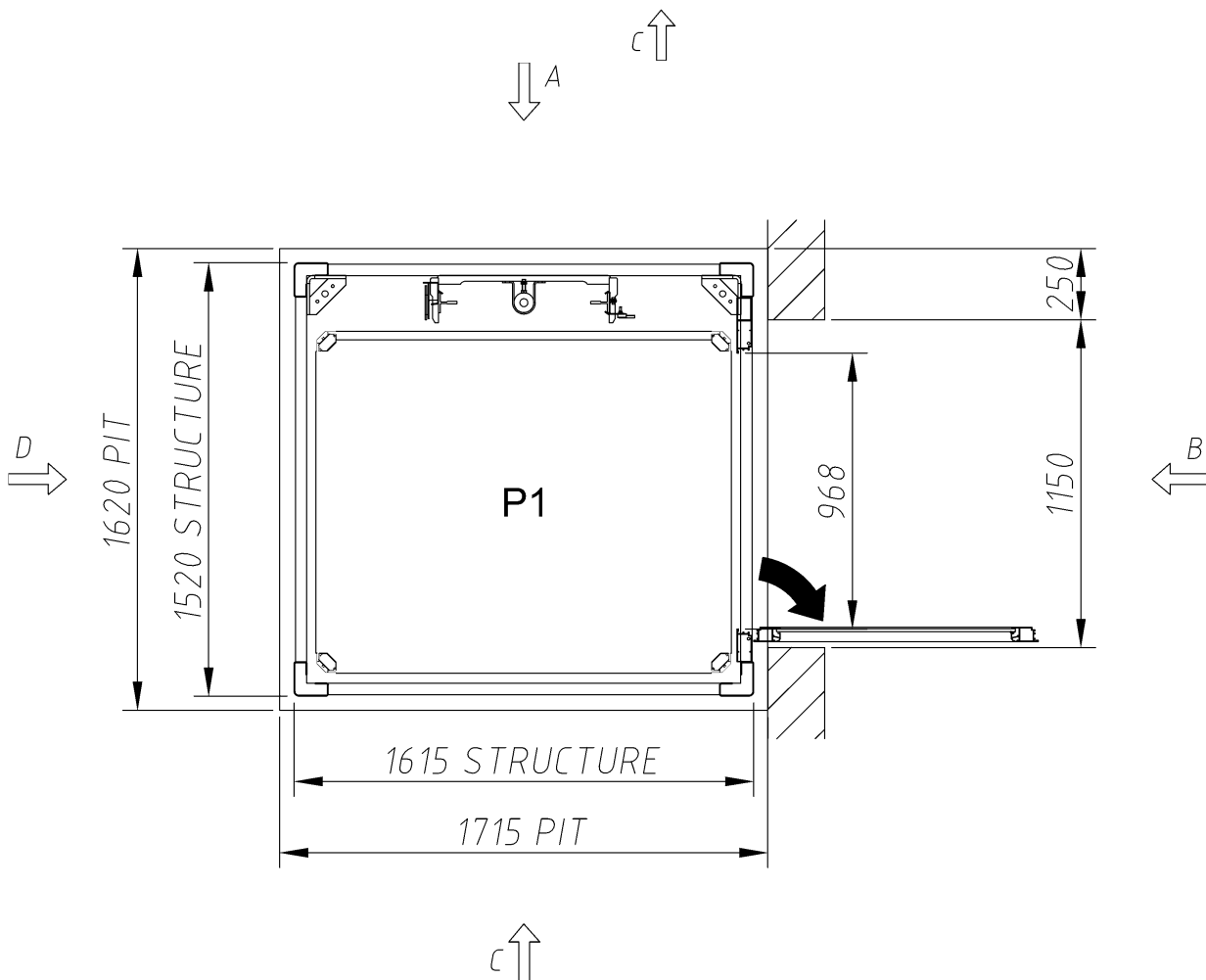
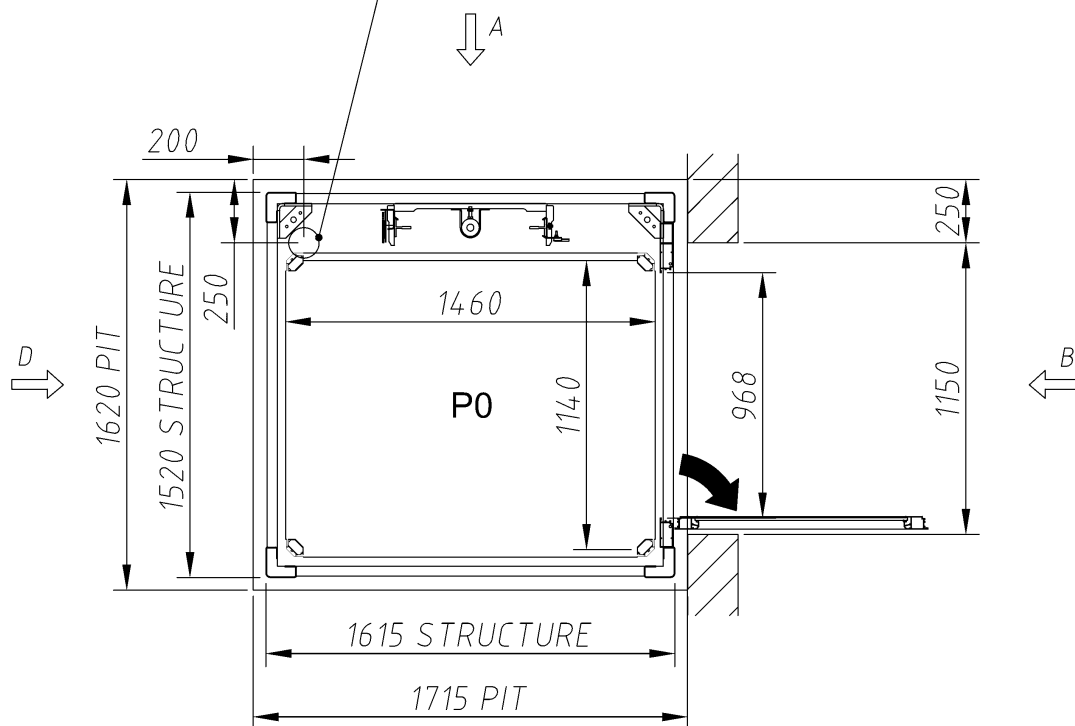


Platforma pionowa o napędzie hydraulicznym - typ Vimec E07 (Easy Move)

<szyb samonosny, drzwi wychylne otwierane recznie>

CONNECTION POINTS FOR EL.
CABLES AND HYDR. HOSES
COMING FROM THE HYDR. POWER PACK



Data _____

Firma _____

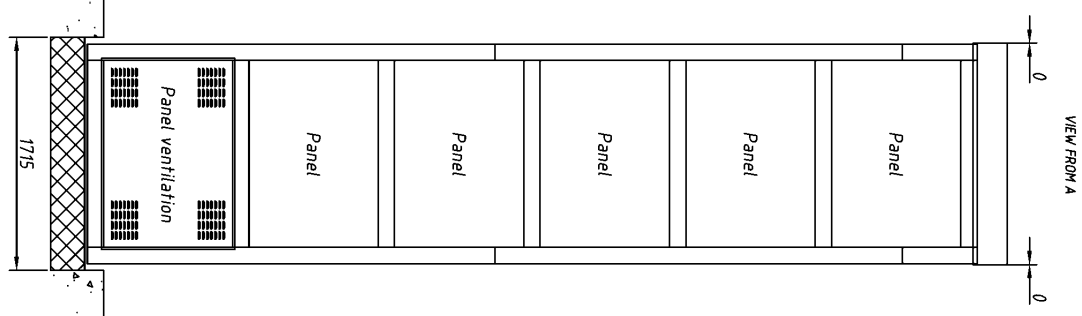
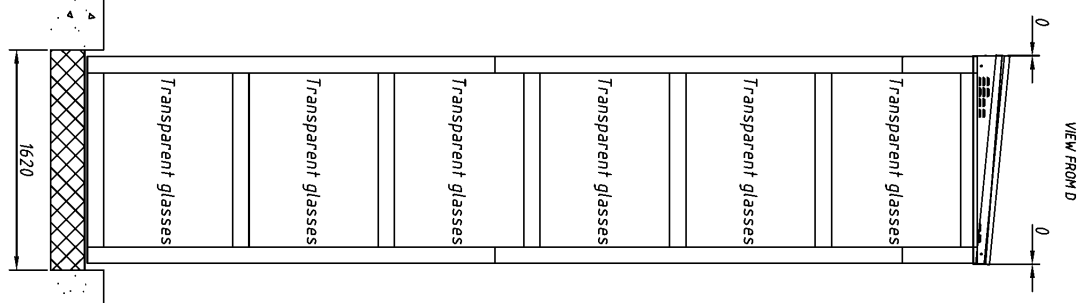
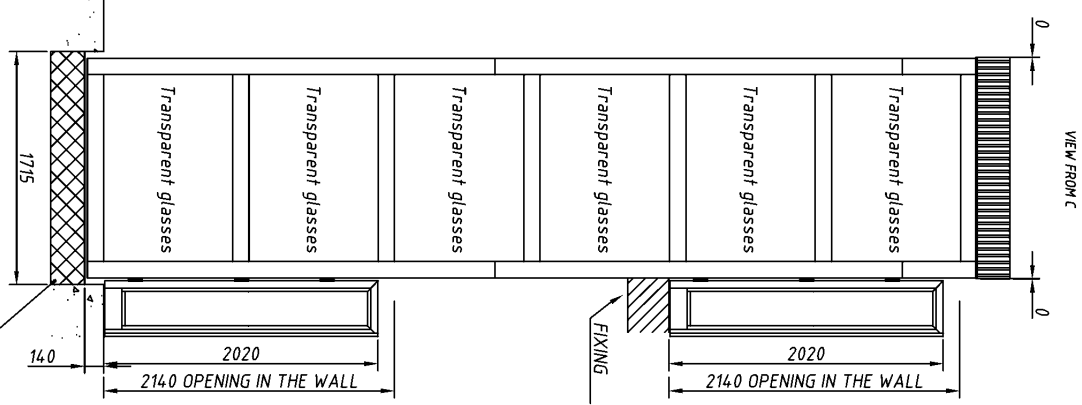
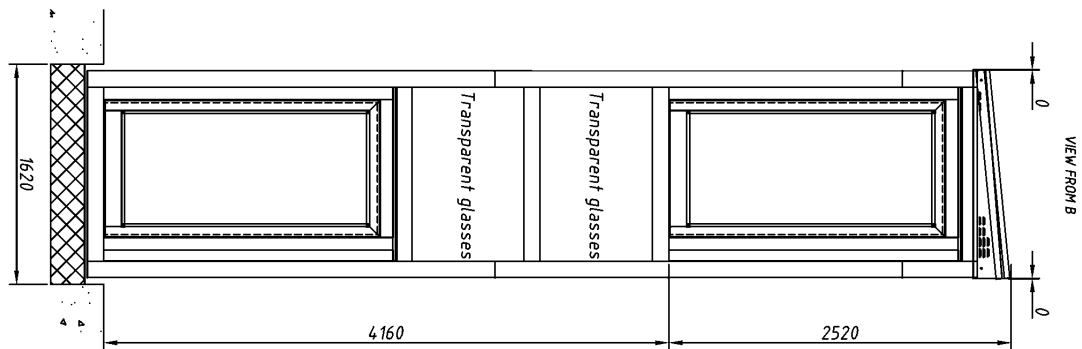
WINDPOLDZWIG SP. Z.O.O.

vimec

Platforma pionowa o napędzie hydraulicznym - typ Vimec E07 (Easy Move)

<szyb samonosny, drzwi wychylne otwierane ręcznie>

In respect of the Annex XXIII of the Regulations (UE) 833/2014, concerning restrictive measures in consideration of Russia's actions that destabilize the situation in Ukraine and subsequent amendments, which lists the products for which export to Russia is prohibited, the export to Russia and Belarus of this model is forbidden.



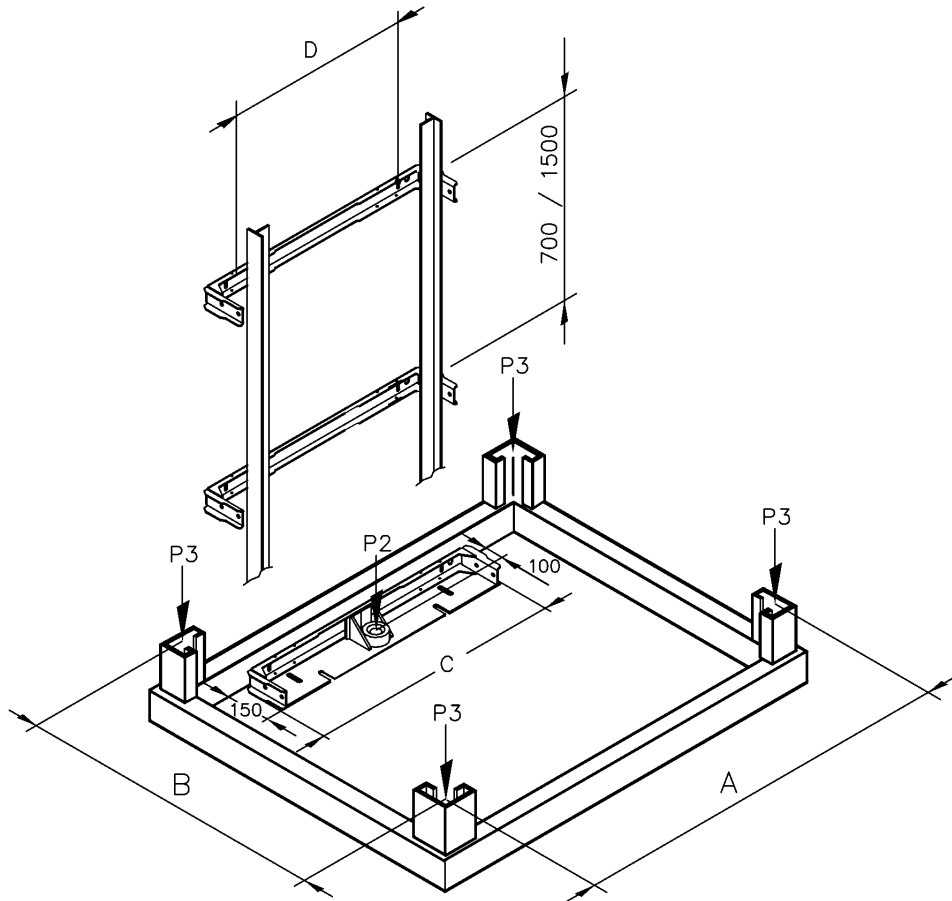
CONCRETE FOUNDATION WITH ELECTRIC-WELDED NETWORK

VERTICAL PLATFORM LIFT Mod. E07

CLIENT: WINDPOLDZWIG SP. Z.O.O.

ORDER: AAG207

LOADS ON THE BASE PLATE



PROJECT DATA

Load capacity =	400	kg	A =	1490	mm	C =	640	mm
Platform width =	1460	mm	B =	1408	mm	D =	500	mm
Platform depth =	1170	mm						
Travel =	4160	mm						

"P2" IS THE MAXIMUM LOAD WITH THE SAFETY GEAR IN ACTION ON THE RAIL
THE LOAD IS DISTRIBUTED ON THE BASE PLATE

$$P2 = 2154 \text{ Kg}$$

"P3" SELF SUPPORTING STRUCTURE LOADS WITH GLASS LIFT SHAFTS ON THE FOUR SIDES OF THE STRUCTURE

$$P3 = 1273 \text{ Kg}$$

Norm: SR – Führungsschiene

DATE 01/30/2024

Tablica sterowa

