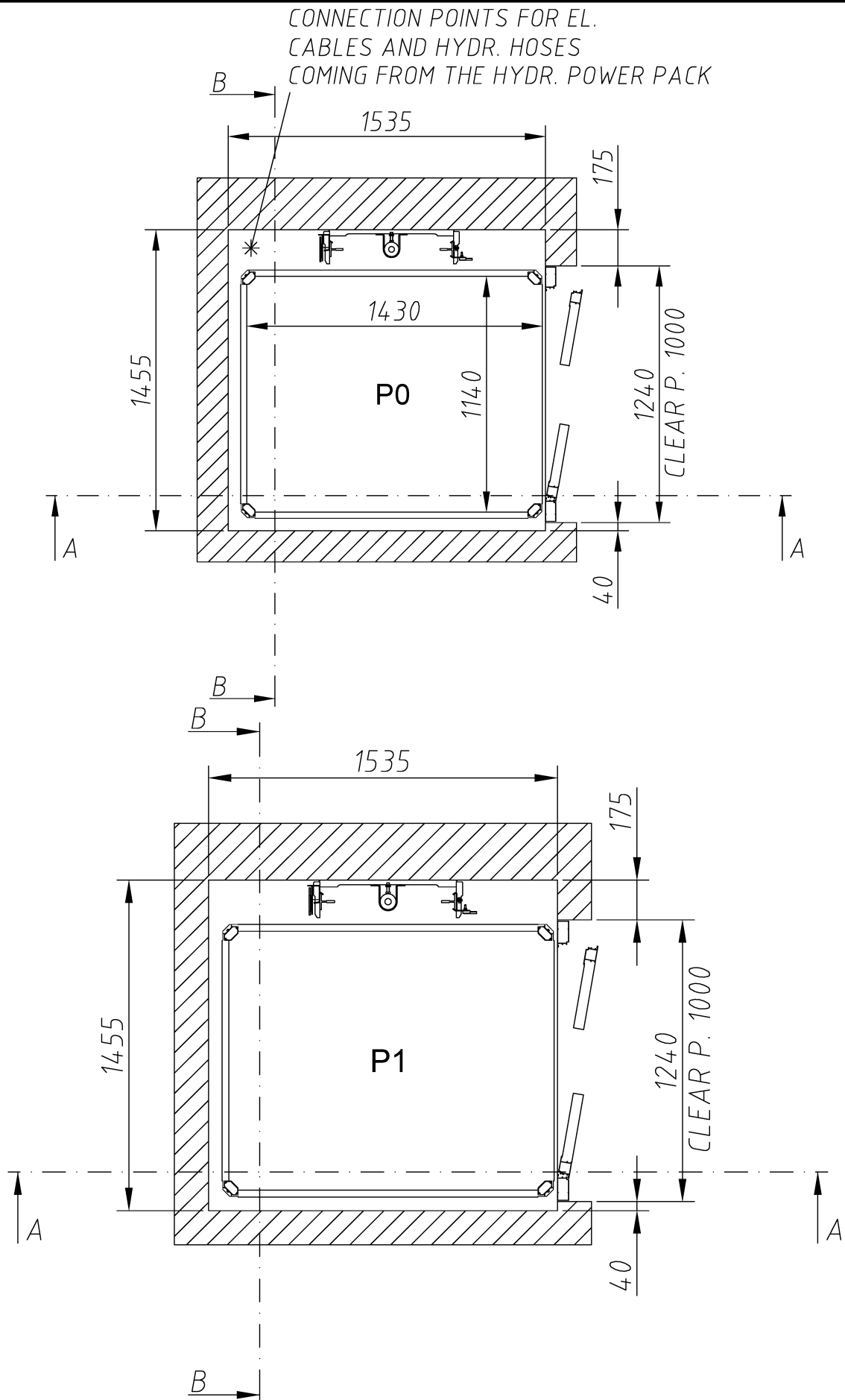


Platforma pionowa o napędzie hydraulicznym - typ Vimec E07 (Easy Move)

<szyb murowany, drzwi wychylne otwierane ręcznie>



Data _____

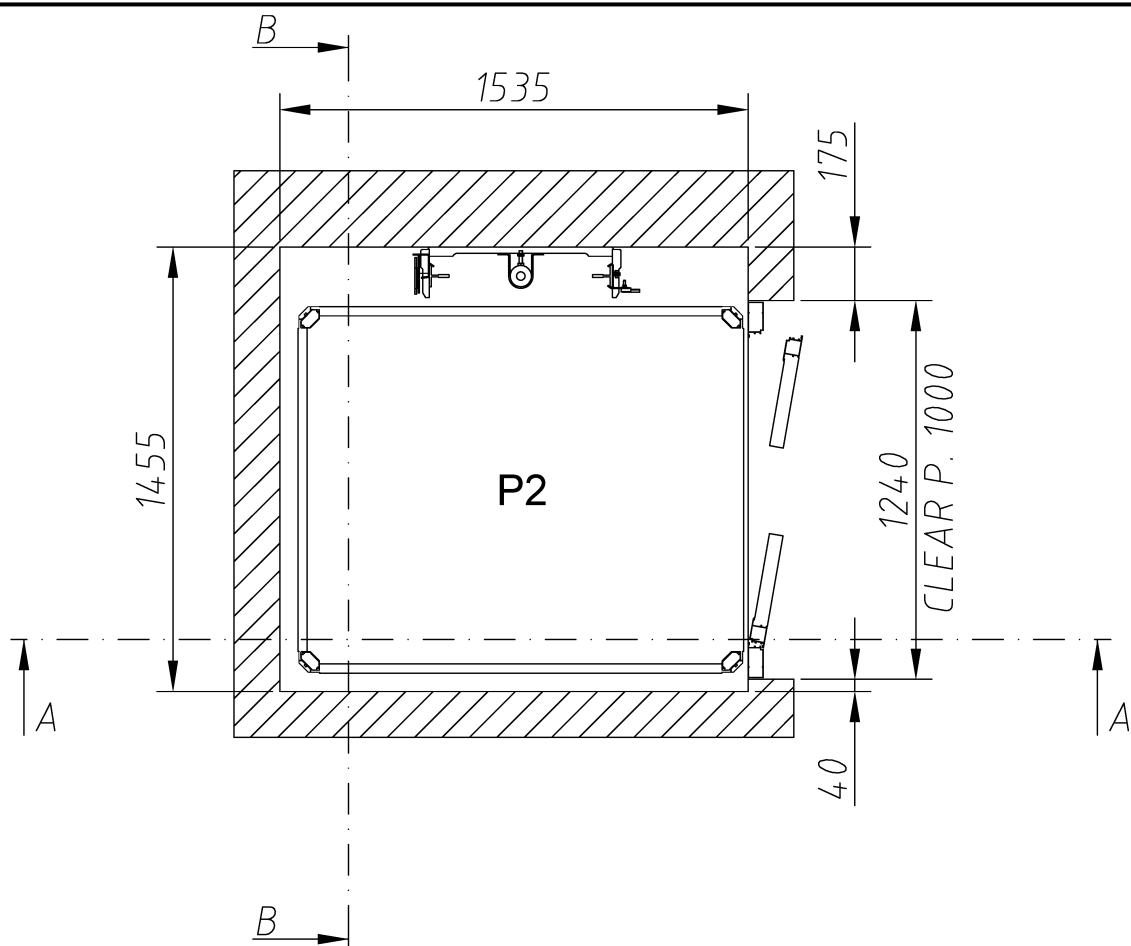
Firma _____

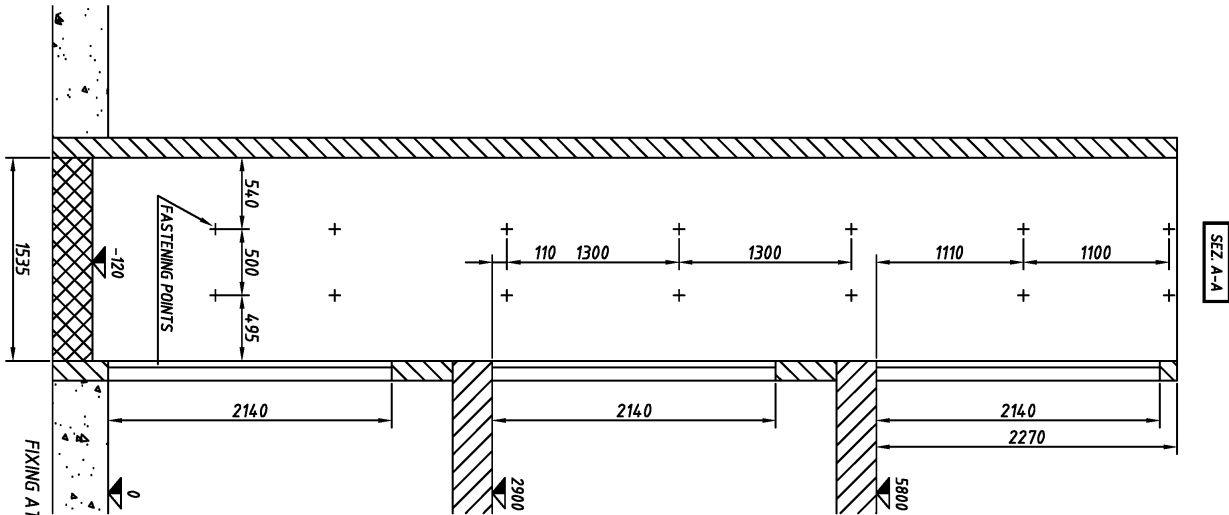
WINDPOLDZWIG SP. Z.O.O.

vimec

Platforma pionowa o napędzie hydraulicznym - typ Vimec E07 (Easy Move)

<szymb murowany, drzwi wychylne otwierane recznie>

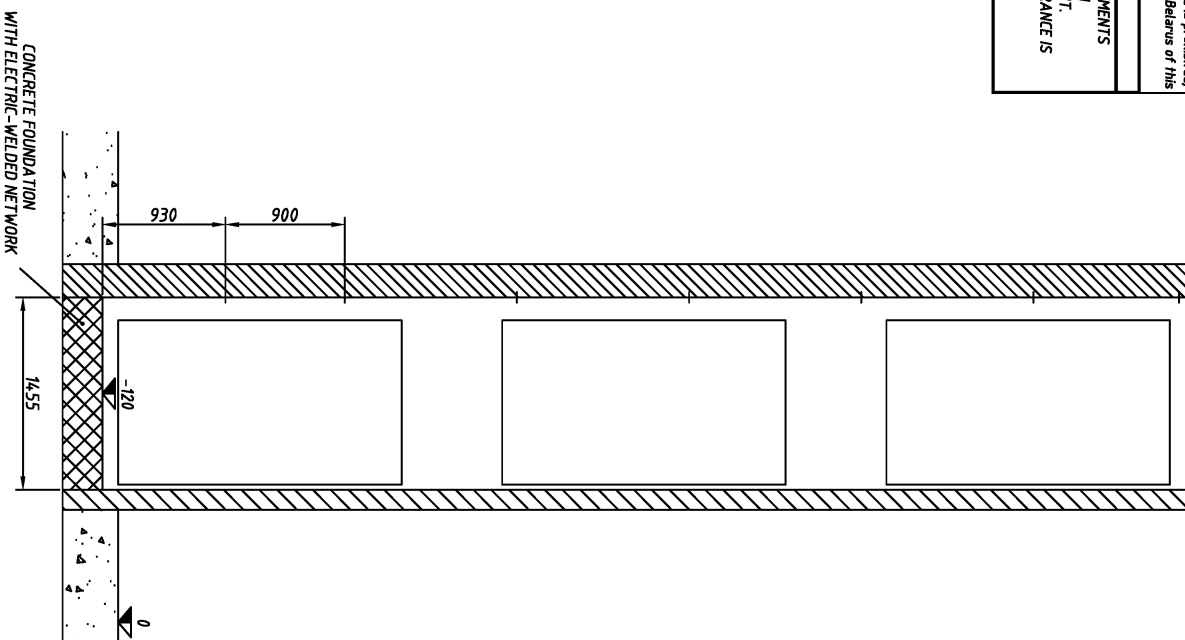




In respect of the Annex XXIII of the Regulations (UE) 833/2014, concerning restrictive measures in consideration of Russia's actions that destabilize the situation in Ukraine and subsequent amendments, which lists the products for which export to Russia is prohibited, the export to Russia and Belarus of this model is forbidden.

WARNING

THE SHAFT MEASUREMENTS AND DOORS POSITION ARE VERY IMPORTANT. THE ADMITTED TOLERANCE IS 5 mm ONLY.

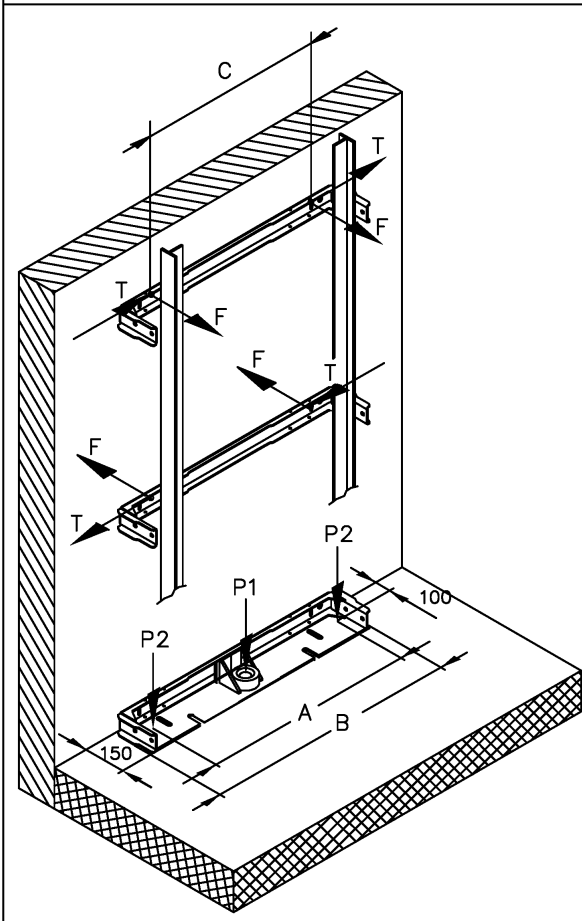


PLATFORM LIFT – E07

CLIENT: WINDPOLDZWIG SP. Z.O.O.

ORDER: E3N851

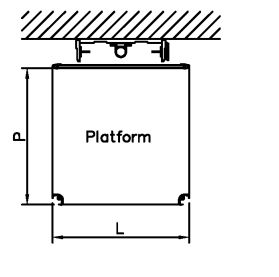
LOAD ON THE BASEMENT & ON THE RAIL SUPPORT



PROJECT DATA

Q =	400	kg
L =	1460	mm
P =	1170	mm
A =	550	mm
B =	640	mm
C =	500	mm
D =	5800	mm

Q = Load
 L = Platform width
 P = Platform depth
 A = Distance between "P2" load
 B = Base plate width
 C = Distance between connection
 D = Travel



VERTICAL LOAD OF THE EQUIPMENT ON THE BASEMENT PLATE

Consider the maximum loads and Not the sum of the loads	P1 (kg)	P2 (kg)
WORKING POSITION	1040	75
WITH SAFETY GEAR IN ACTION	0	1246

HORIZONTAL LOAD OF THE EQUIPMENT ON THE RAIL FIXING

	Centred Loaded	Maximum load decentralized on the platform	
	F(kg)	F(kg)	T(kg)
WORKING POSITION	209	191	45
WITH SAFETY GEAR IN ACTION	383	350	83

Norm: SR – Fuhrunsschiene

DATE 10/19/2023

Data _____

Firma _____

WINDPOLDZWIG SP. Z.O.O.

vimec

Tablica sterowa

